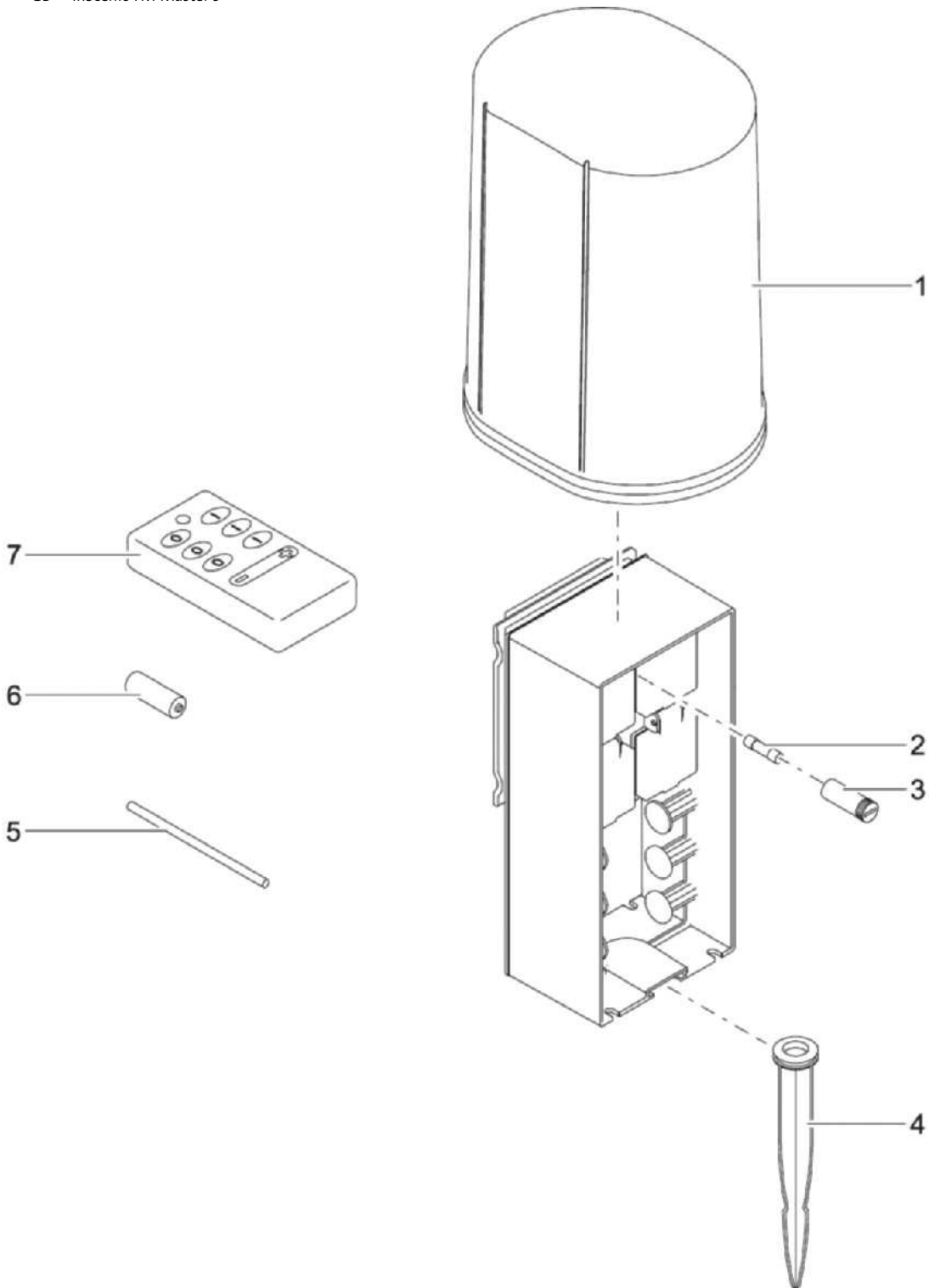


| Artikelnr. Item no. | Produkt Product |
|------------------------|-------------------------|
| 55433 | InScenio 230 |
| 54978 | InScenio FM-Master 1 |
| 36310 | InScenio FM-Master 2 |
| 36311 | InScenio FM-Master 3 |
| 56886 | InScenio FM-Profimaster |
| 55860 | FR InScenio 230 |
| 55856 | FR InScenio FM-Master 1 |
| 55858 | FR InScenio FM-Master 2 |
| 55859 | FR InScenio FM-Master 3 |
| 56473 | GB InScenio FM-Master 3 |



| Artikelnr. Produkt Item no. Product | Pos. Pos. | Artikelnr. Ersatzteil Item no. Spare part | VE PU | Ersatzteil | Spare part |
|--|--------------|--|----------|---|-------------------------------|
| 55433 | 1 | 33371 | 1 | Haube FM-Master | Cover FM-Master |
| | 4 | 20284 | 1 | Erdspieß | Spike |
| 36310 | 1 | 33371 | 1 | Haube FM-Master | Cover FM-Master |
| | 4 | 20284 | 1 | Erdspieß | Spike |
| | 5 | 14496 | 1 | Einlernstift FM-Master | Teach-in pin FM-Master |
| | 7 | 22653 | 1 | Handsender FM-Master | Remote control FM-Master |
| 36311 | 1 | 33371 | 1 | Haube FM-Master | Cover FM-Master |
| | 2 | 14368 | 1 | G-Feinsicherung träge 2,0 A | Fuse T 2.0 A |
| | 3 | 27645 | 1 | Ersatz Feinsicherungshalter FM-Master 3 | Spare fuse holder FM-Master 3 |
| | 4 | 20284 | 1 | Erdspieß | Spike |
| | 5 | 14496 | 1 | Einlernstift FM-Master | Teach-in pin FM-Master |
| | 7 | 22653 | 1 | Handsender FM-Master | Remote control FM-Master |
| 54978 | 1 | 33371 | 1 | Haube FM-Master | Cover FM-Master |
| | 4 | 20284 | 1 | Erdspieß | Spike |
| | 5 | 14496 | 1 | Einlernstift FM-Master | Teach-in pin FM-Master |
| | 7 | 22653 | 1 | Handsender FM-Master | Remote control FM-Master |
| 56886 | 1 | 33371 | 1 | Haube FM-Master | Cover FM-Master |
| | 2 | 14368 | 1 | G-Feinsicherung träge 2,0 A | Fuse T 2.0 A |
| | 3 | 27645 | 1 | Ersatz Feinsicherungshalter FM-Master 3 | Spare fuse holder FM-Master 3 |
| | 4 | 20284 | 1 | Erdspieß | Spike |
| | 5 | 14496 | 1 | Einlernstift FM-Master | Teach-in pin FM-Master |
| | 7 | 22653 | 1 | Handsender FM-Master | Remote control FM-Master |
| 55860 | 1 | 33371 | 1 | Haube FM-Master | Cover FM-Master |
| | 4 | 20284 | 1 | Erdspieß | Spike |
| 55856 | 1 | 33371 | 1 | Haube FM-Master | Cover FM-Master |
| | 4 | 20284 | 1 | Erdspieß | Spike |
| | 5 | 14496 | 1 | Einlernstift FM-Master | Teach-in pin FM-Master |
| | 7 | 22653 | 1 | Handsender FM-Master | Remote control FM-Master |
| 55858 | 1 | 33371 | 1 | Haube FM-Master | Cover FM-Master |
| | 4 | 20284 | 1 | Erdspieß | Spike |
| | 5 | 14496 | 1 | Einlernstift FM-Master | Teach-in pin FM-Master |
| | 7 | 22653 | 1 | Handsender FM-Master | Remote control FM-Master |
| 55859 | 1 | 33371 | 1 | Haube FM-Master | Cover FM-Master |
| | 2 | 14368 | 1 | G-Feinsicherung träge 2,0 A | Fuse T 2.0 A |
| | 3 | 27645 | 1 | Ersatz Feinsicherungshalter FM-Master 3 | Spare fuse holder FM-Master 3 |
| | 4 | 20284 | 1 | Erdspieß | Spike |
| | 5 | 14496 | 1 | Einlernstift FM-Master | Teach-in pin FM-Master |
| | 7 | 22653 | 1 | Handsender FM-Master | Remote control FM-Master |
| 56473 | 1 | 33371 | 1 | Haube FM-Master | Cover FM-Master |
| | 2 | 14368 | 1 | G-Feinsicherung träge 2,0 A | Fuse T 2.0 A |
| | 3 | 27645 | 1 | Ersatz Feinsicherungshalter FM-Master 3 | Spare fuse holder FM-Master 3 |
| | 4 | 20284 | 1 | Erdspieß | Spike |
| | 5 | 14496 | 1 | Einlernstift FM-Master | Teach-in pin FM-Master |
| | 7 | 22653 | 1 | Handsender FM-Master | Remote control FM-Master |